



PROJECT		REF		REV	ITEM CODE	
LOCATION		DATE			PAGE	

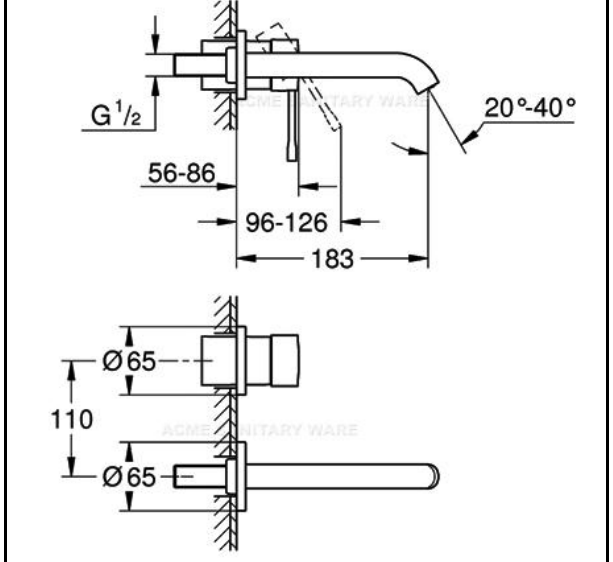
SANITARY WARE SPECIFICATION SHEET

Item Descriptions	GROHE (Germany) "Essence" Cool sunrise wall mounted 2-hole basin mixer; nominated flow rate 4.8 L/min in WELS Grade 1 ; Registration No. TM 18-0082
Model	19408GL1 (Mixer) 23571000 (Concealed Body)
Finish	Cool Sunrise
Country of origin	Germany
Manufacturer	GROHE Limited
Supplier	Acme Sanitary Ware Co. Ltd Mr. Eric Wong/ Mr. Don Yuen
Contact Tel/Fax	(852) 2388-7171 / (852) 2710-8012
E-mail	acme@acmesanitary.com.hk
Website	www.acmesanitary.com.hk

Illustration/ Drawing

Dynamic flow pressure (kPa)	50	150	250	350	500
Flow rate (l/min)	2.95	4.58	4.95	4.83	5.03

Essence New
 2-hole basin mixer M-Size
 wall mounted
 without concealed body
GROHE EcoJoy mousseur 5.7 l/min
GROHE AquaGuide adjustable mousseur
GROHE StarLight chrome finish
 projection 183 mm
 centre distance 110 mm
 metal escutcheon
 metal lever



- Colour options:**
- 001 | StarLight Chrome
 - GL1 | Cool Sunrise
 - DC1 | SuperSteel
 - GN1 | Brushed Cool Sunrise
 - DA1 | Warm Sunset
 - DL1 | Brushed Warm Sunset
 - A01 | Hard Graphite
 - BE1 | Polished Nickel
 - AL1 | Brushed Hard Graphite
 - EN1 | Brushed Nickel

* All information of the above is for the reference only. No prior notice is made if any changes.

註冊號碼 (Registration No.): TM 18-0082



自願參與用水效益標籤計劃 - 水龍頭
Voluntary Water Efficiency Labelling Scheme - Water Taps



茲證明
This is to certify that

將下列水龍頭在本計劃內註冊：
has registered the following water tap under this scheme :

- 牌子 / Brand : GROHE
- 型號 / Model : 23571000 + 19408XX1
- 種類 / Type : Mixing
- 原產地 / Country or Region Origin : Germany (Body)

在用水效益標籤上展示的標誌 <i>Symbolic Presentation on the Water Efficiency Label</i>	: 	滴水點 <i>Water droplet(s)</i>
用水效益級別 <i>Water Efficiency Grade</i>	: 1	
耗水量 <i>Water Consumption</i>	: 4.8	公升/分鐘 <i>litres/minute</i>

簽發日期 : 27 April 2018
Date of Issue :

 水務署
Water Supplies Department



水務署署長(周世威代行)
for Director of Water Supplies